

LEGAMAX Premium

HKS STYLING PERFORMANCE

IMPREZA SPORT (DBA-GP7)



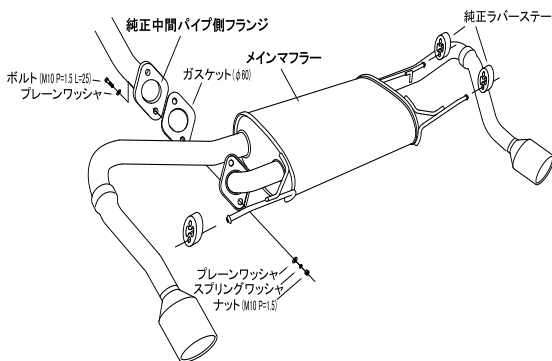
Code No.32018-AF013

Double-sided Ti Exhaust Tips delivers styling with intensity

Large Ti exhaust tips on both sides of the vehicle transforms the appearance of the rear turning the Impreza Sport into a wild and sporty, yet premium vehicle.

Exhaust Sound Reduction Structure for Street Use

The double-sided tips produces a mild exhaust sound to provide a comfortable ride for fellow passengers. Enjoy the mild exhaust sound at low speed range and soothing boxer sound at high speed range.



Model (Engine)	DBA-GP7	
Model Year	2011/12 ~	
JQR Number	JQR10151226	
Main Material	SUS304	
Tip O.D.	φ90 Ti Curled Tip	
Main Pipe Dia.	φ50.0 - φ45.0	
Closed Noise (Noise Level @ Idling)	Stock	75dB (55dB)
	HKS	83dB (60dB)
Ground Clearance		
EX Pipe Ground Clearance (Partial)	145mm(Mid Shell)	
Remarks	•Ground clearance won't be changed after installing this product.	